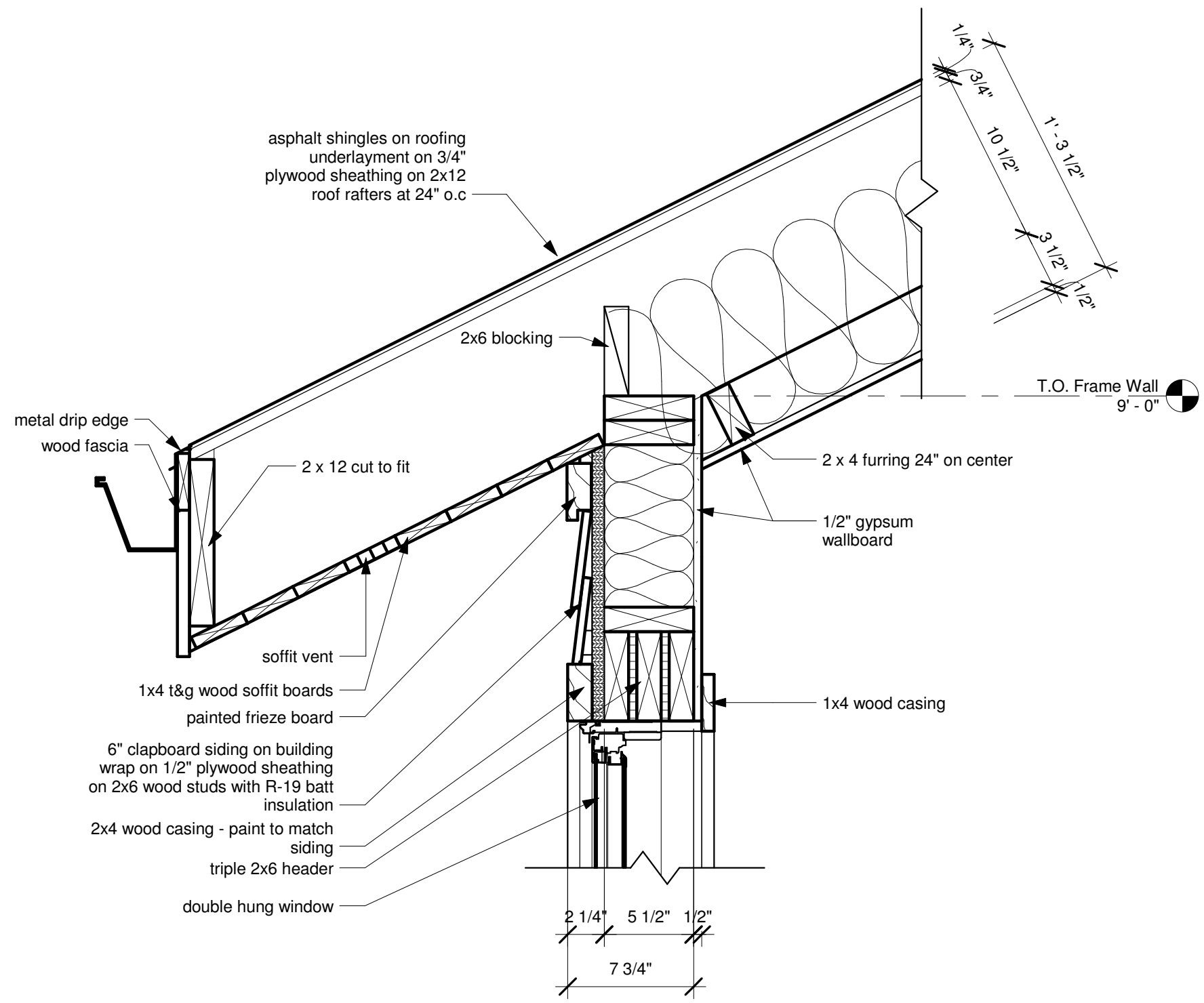
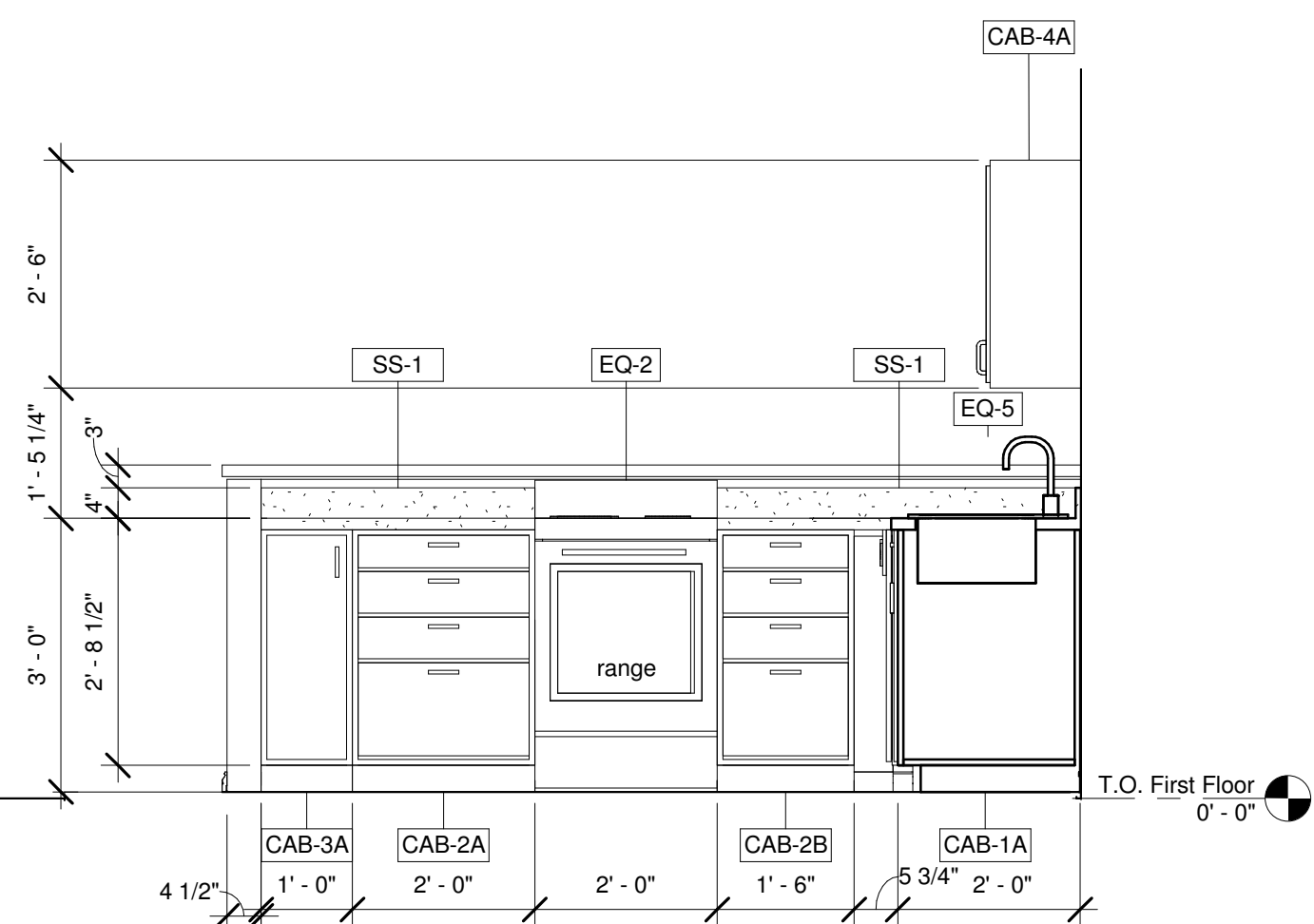


Room Schedule										
Num ber	Name	Area	north	east	south	West	Floor Finish	Base Finish	Ceiling Finish	Comments
001	Finished basement	169 SF	PT-1	PT-1	PT-1	PT-1	Carpet 1	WT	PT-1	Due to the open staircase the Basement has been finished
002	Utility	162 SF	PT-1	PT-1	PT-1	PT-1	Concrete 1	none	PT-1	
101	Living Room	287 SF	PT-2	PT-2	PT-2	PT-2	Hardwood 1	WT	PT-2	No drop ceiling open to roof
102	Kitchen/ Dining Room	223 SF	PT-2	PT-2	PT-2	PT-2	Tile/Hardwood 1	WT	PT-2	No drop ceiling open to roof
103	Hallway	111 SF	PT-2	PT-2	PT-2	PT-2	Hardwood 1	WT	PT-4	
104	Bath	71 SF	PT-3	PT-3	PT-3	PT-3	Tile 1	WT	PT-3	
105	Bedroom	105 SF	PT-4	PT-4	PT-4	PT-4	Carpet 2	WT	PT-4	
106	Master Bedroom	232 SF	PT-4	PT-4	PT-4	PT-4	Carpet 2	WT	PT-4	
108	Closet	8 SF	PT-4	PT-4	PT-4	PT-4	Carpet 2	WT	PT-4	
107	Closet	9 SF	PT-4	PT-4	PT-4	PT-4	Carpet 2	WT	PT-4	

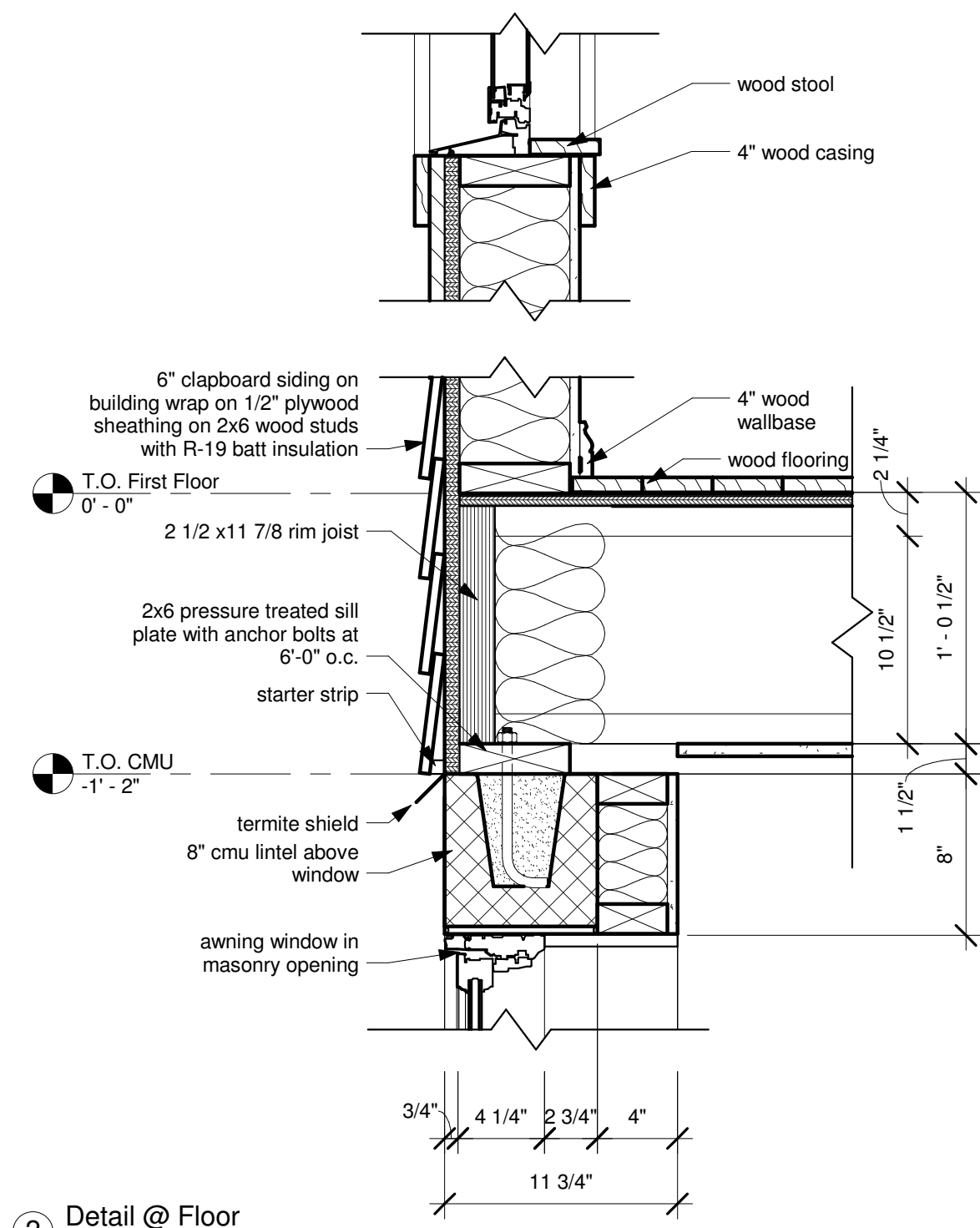
Walls and Ceilings	Floors	Millwork / Base Conditions
PT-1: Product: Interior Paint Manufacturer: Valspar Color: Smoke Infusion(5002-1B) Sheen: Semi-gloss	CT-1: Product: Concrete Manufacturer: Quikrete Model #: 110180	CPT-2: Product: Carpet Tile Manufacturer: Foss Color: Stone Beige Model #: ENDTLSTNBGE
PT-2: Product: Interior Paint Manufacturer: Valspar Color: Lemongrass(CL168) Sheen: Semi-gloss	WF-1: Product: Hardwood Manufacturer: Bruce Addison Type: Prefinished Oak Model #: CB9232	WT-1: Product: Wood Trim Manufacturer: Ever Ture Type: Pine Model #: 35670PINE
PT-3: Product: Interior Paint Manufacturer: Valspar Color: Dry Leaf(3008-8A) Sheen: Semi-gloss	Tile: Product: Floor Tile Manufacturer: Del Conca Type/Color: Proclean Roman Stone Model #: G3RS19	
PT-4: Product: Interior Paint Manufacturer: Olympic Color: Delicate White(D40-1) Sheen: Satin	CPT-1: Product: Carpet Tile Manufacturer: Foss Color: Ocean Blue Model #: ENDTLOCBLUE	



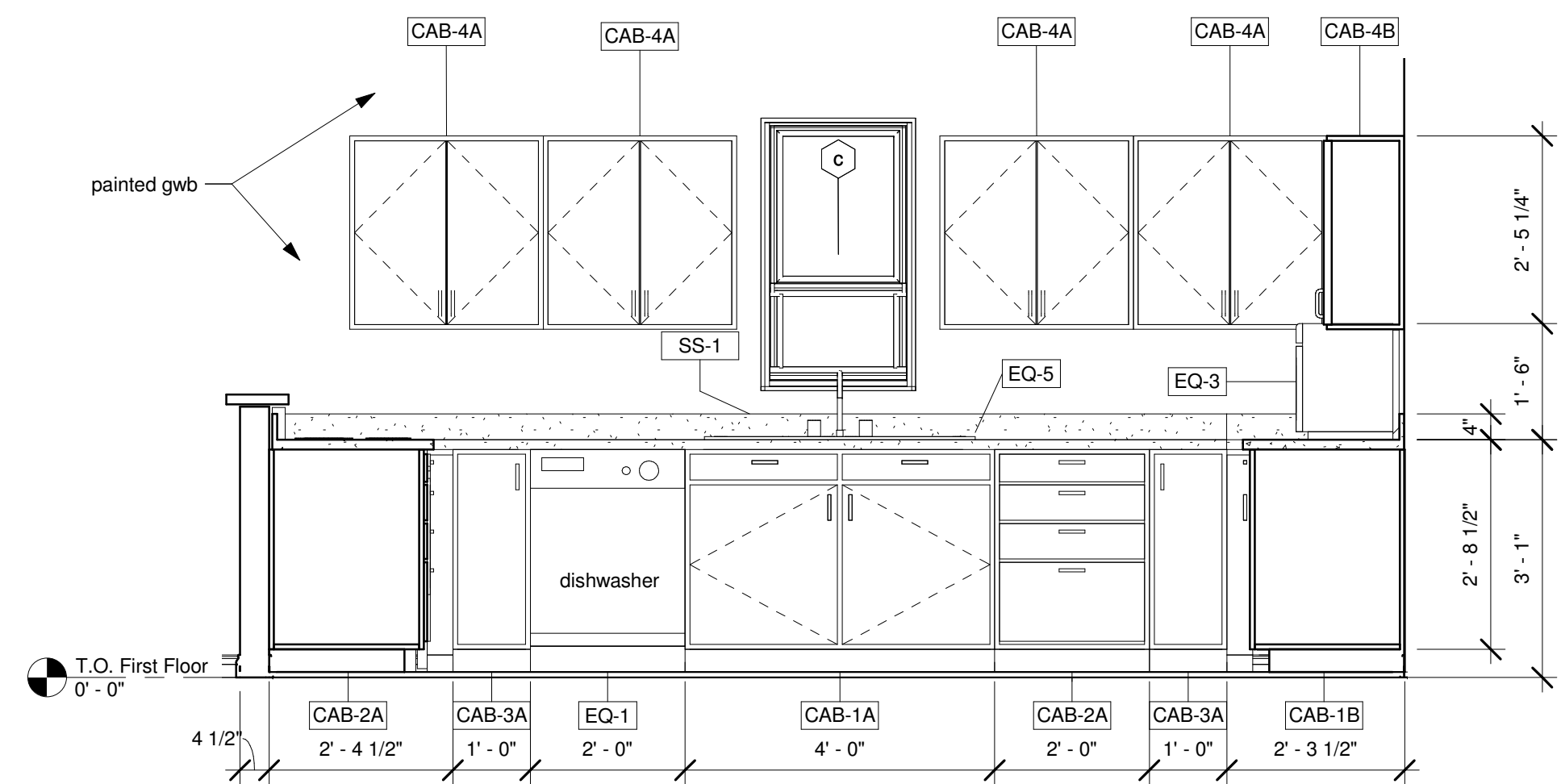
1 Detail @ Roof
1 1/2" = 1'-0"



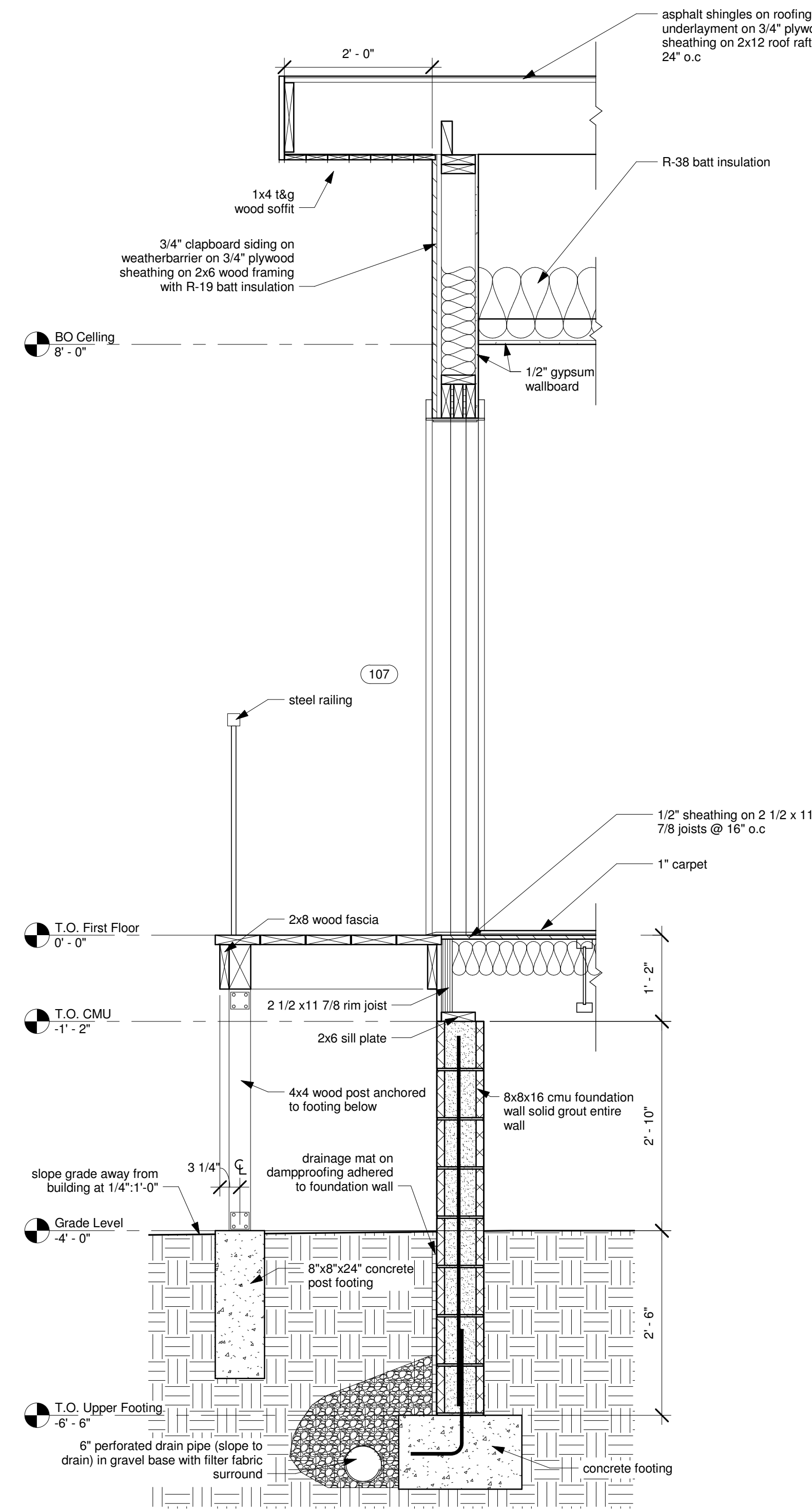
5 Kitchen Elevation 1
1/2" = 1'-0"



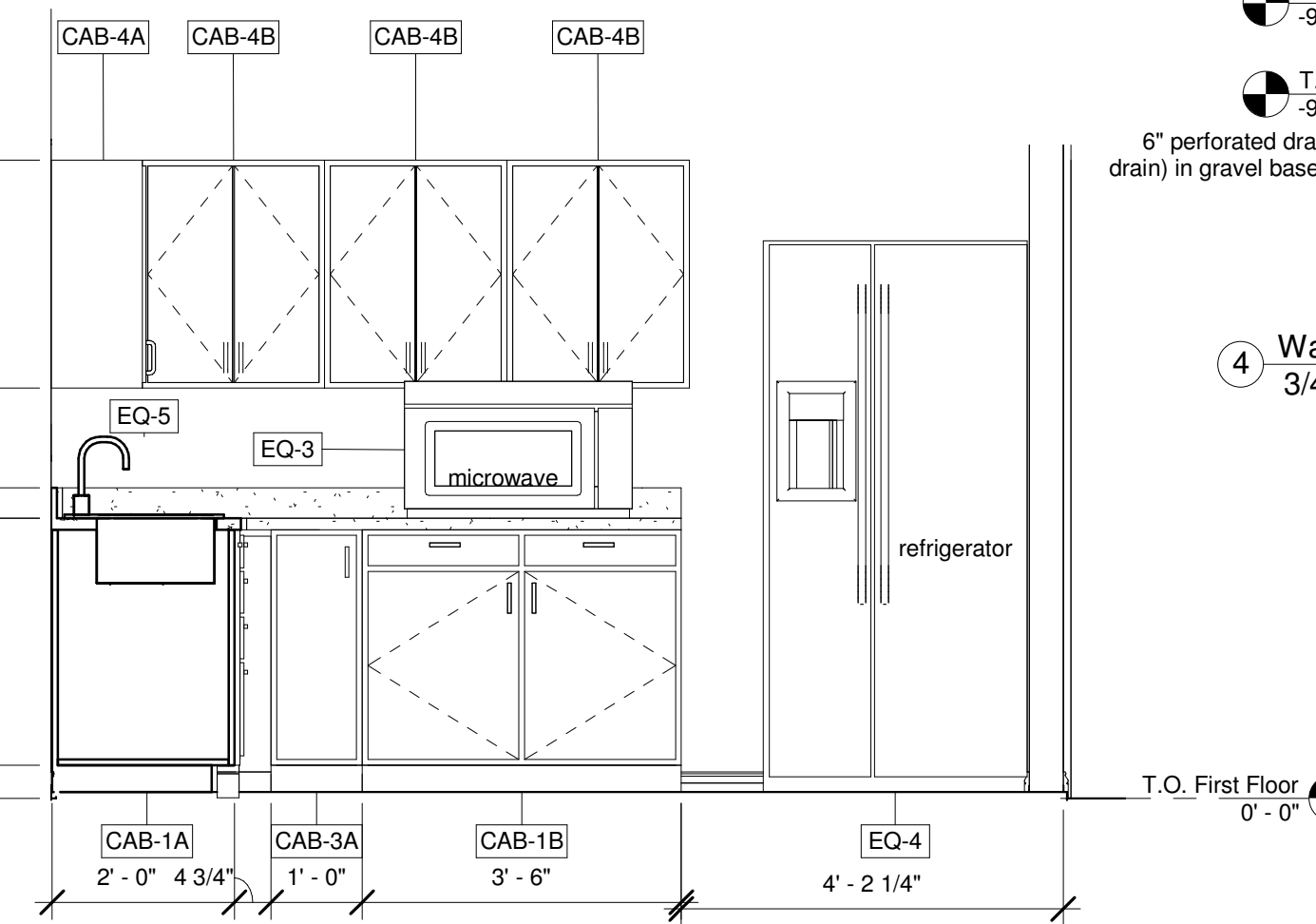
2 Detail @ Floor
1 1/2" = 1'-0"



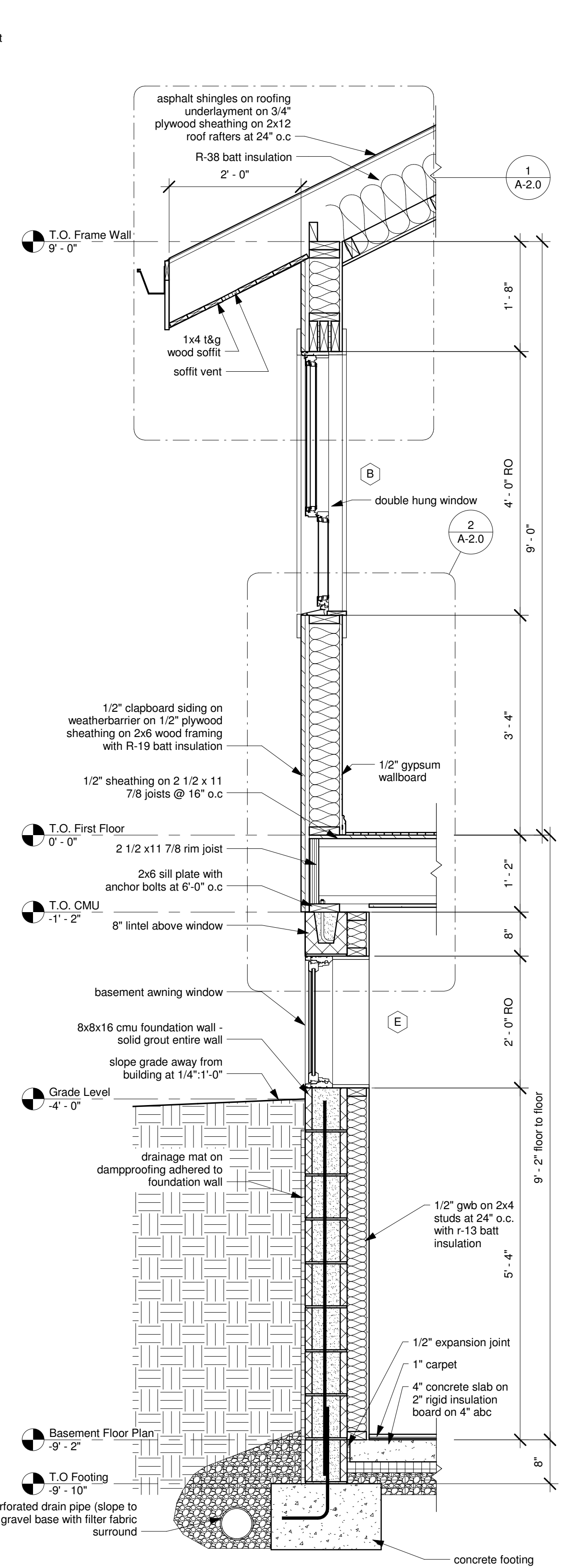
6 Kitchen Elevation 2
1/2" = 1'-0"



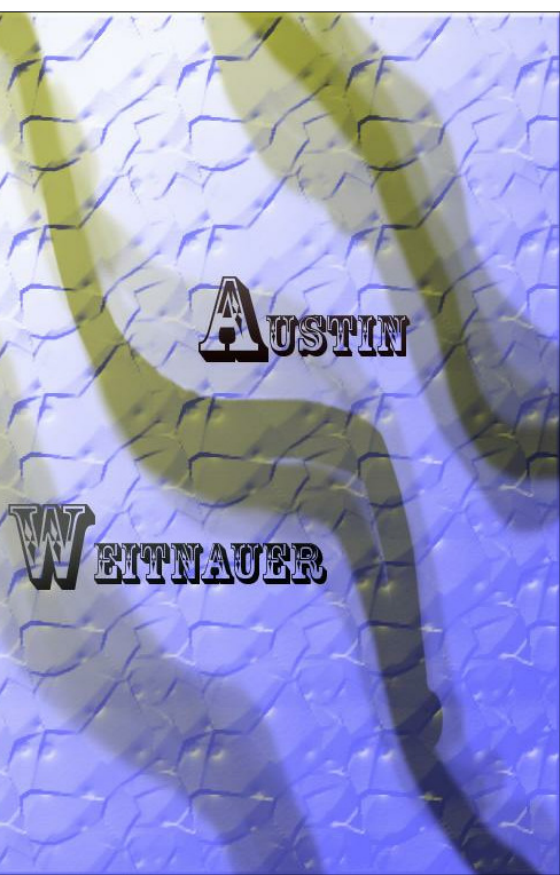
3 Wall Section @ Back Deck @ Crawl Space
3/4" = 1'-0"



7 Kitchen Elevation 3
1/2" = 1'-0"



4 Wall section @ Basement
3/4" = 1'-0"



Name Austin Weitnauer
Semester spring 2014
Course ARC242
Section 001

Cairo Residence

Project # 001-S14
Date 4-22-14

Construction Documents
Wall Sections, Details, and Interior Elevations

A-2.0